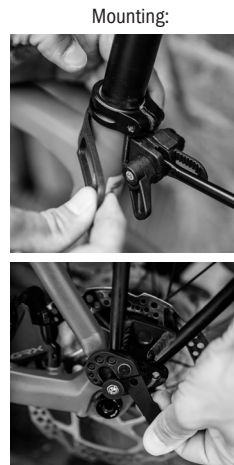
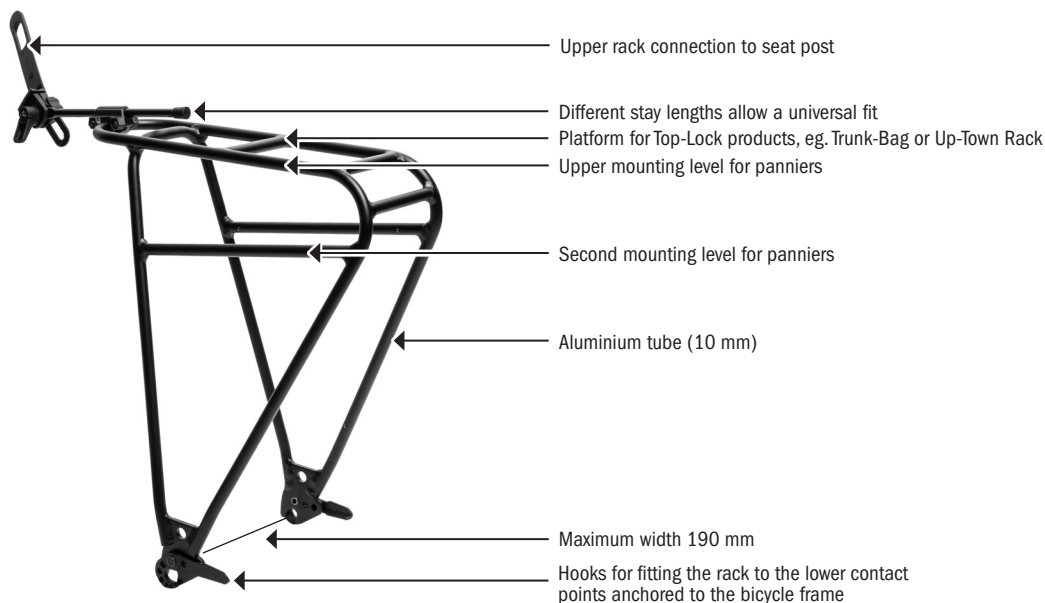


PRODUCT INFO

QUICK-RACK

Bike rack with quick release system for rapid installation and removal

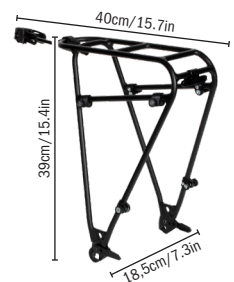
- TOP LOCK**
- QL3.1 system**
- QL2.1 system**
- QL1 system**



Included in delivery:



Dimensions rack:



material	wheel size	tube diameter/mm	width support surface/mm	max. width/mm	weight g/oz	max. capacity kg/lbs
Aluminium	26"-28", 29" limit. compatibility	10	100	190	580/20.5	20/44.1

SPECIFICATIONS:

- + Lightweight bicycle rack with quick release system for rapid installation and removal
- + 5/15 method: 5 sec removal, 15 sec installation
- + Quick transformation from race bike to commuter bike
- + Leaves a clean bike, no fixed rack
- + Can be used on carbon seatposts and carbon frames with M5 or M6 rack eyelets
- + Can be used with full suspension bicycles
- + Different stay lengths allow a universal fit
- + Touring rack with two hook-in levels, e.g. for simultaneous use of a basket (Top-Lock product) and QL1/2/2.1 side bags
- + Allows for direct attachment of all bags with QL1/2.1/3/3.1 and the Top-Lock System
- + QL3/3.1 attachment elements can be removed
- + Suitable for 26"-28" and 29" (limited compatibility)
- + Horizontal and vertical struts with 10 mm tube diameter
- + Includes a complete mounting kit: no additional adapters required for most applications
- + Mounting bracket for optional rear light (light not included)
- + Maximum load capacity: 20kg / 44.1lbs

Contents: Rack with mounting material and additional extra long mounting stay (300 mm), Mounting bracket for optional rear light, QL3/QL3.1 mounting clamps

Optional accessory: Quick-Rack Mudguard 38 mm (F78107), 50 mm (F78108) and 72 mm (F78109), Quick-Rack Seat Stay Adapter (F78106)

Note: Follow mounting instructions

Attention: Rack is not suitable for mounting and using child seats; To prevent scratches and paint damage, please use frame protection film on the contact points.

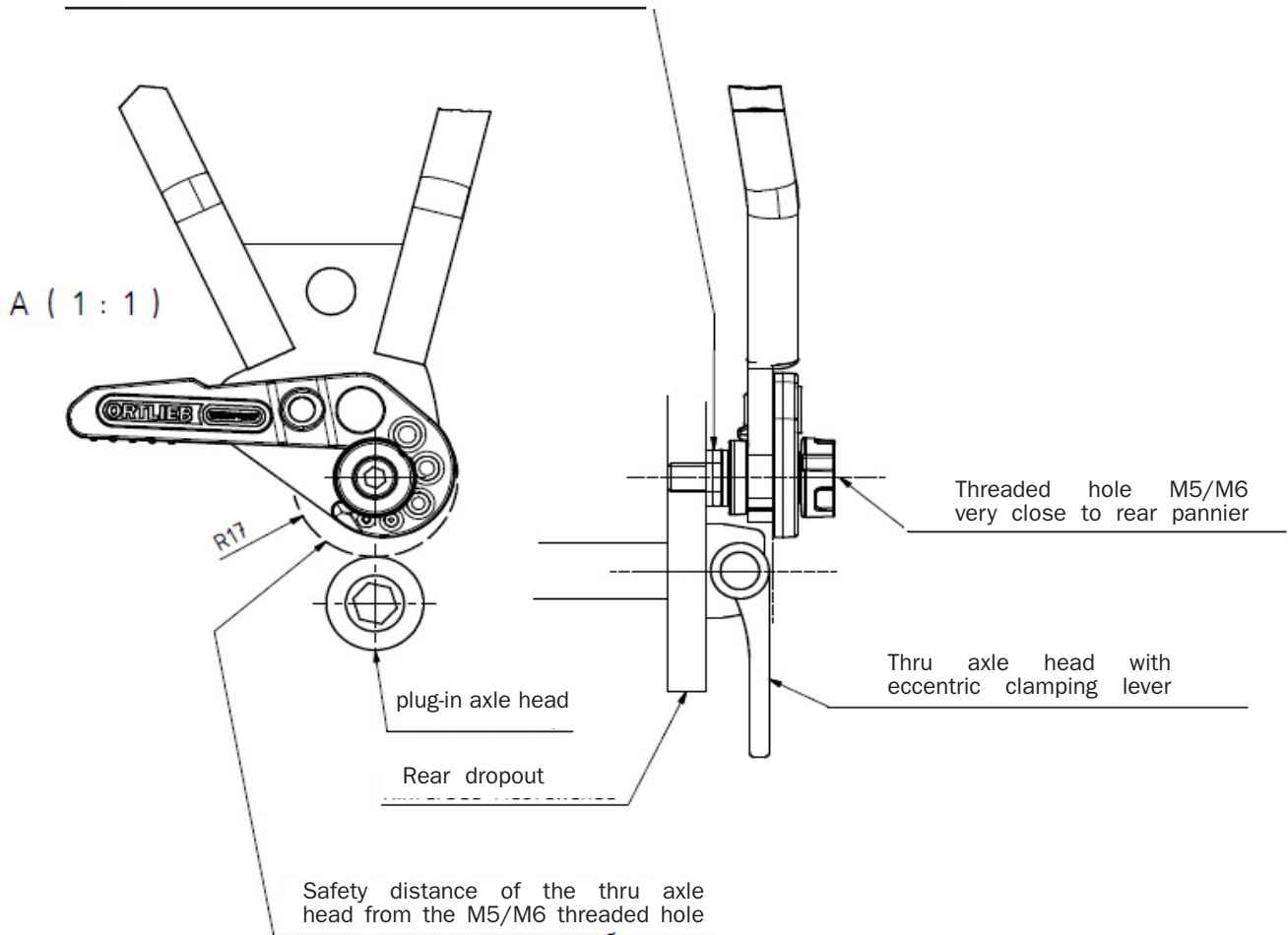


PRODUCT INFO

QUICK-RACK

Bike rack with quick release system for rapid installation and removal

Place shims underneath to gain clearance for the movement path of the Quick-Rack locking hook



Note:

- + The safety distance of the M5/M6 to the axle head must be at least 17mm
- + If the safety distance is too small, the pivot bearing can be spaced above the axle head height using washers. The safety hook must be able to close around the pivot bearing. The minimum screw-in depth of the screw (8 mm) must not be undercut.

