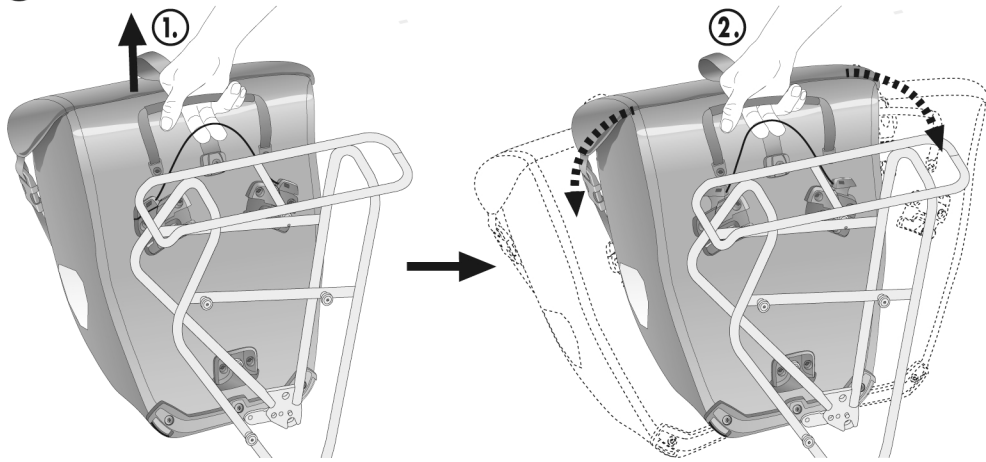
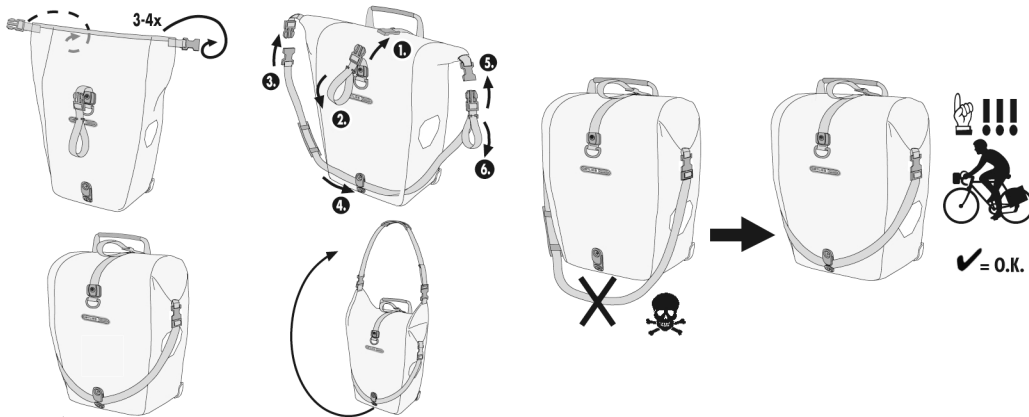


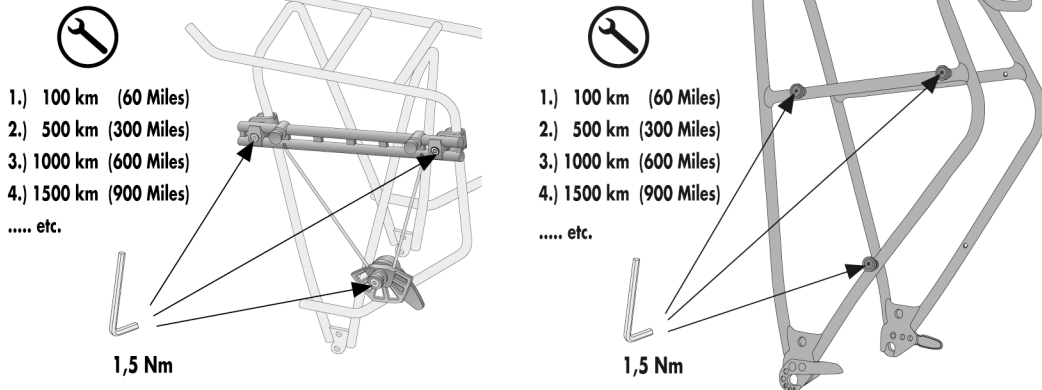
2 DEMOUNT BAG



3 CLOSE BAG



! CHECK SECURE MOUNTING BEFORE RIDING

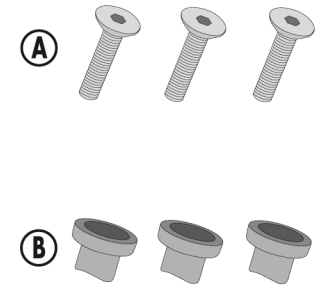


BACK-ROLLER QL3.1 SPORT-ROLLER QL3.1

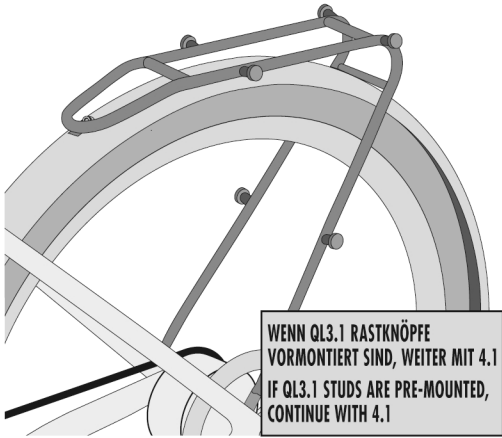
- DE MONTAGEANLEITUNG:
- GB ASSEMBLY INSTRUCTIONS:
- FR INSTRUCTIONS DE MONTAGE:
- IT ISTRUZIONI DI MONTAGGIO:
- NL MONTAGE HANDLEIDING:
- DK MONTERINGSVEJLEDNING:
- ES INSTRUCCIONES DE MONTAJE:
- SE MONTERINGSANVISNING:
- NO MONTERINGSANVISNING:
- FI ASENNUSOHJEET:
- PL INSTRUKCJA MONTAŻU:
- JP 装着方法



- INHALT:
- CONTENTS:
- CONTENU:
- CONTENUTO:
- INHOUD:
- INDHOLD:
- CONENIDO:
- INNEHÅLL:
- INNHOUD:
- SISÄLLYS:
- ZAWARTOŚĆ:
- 内容物



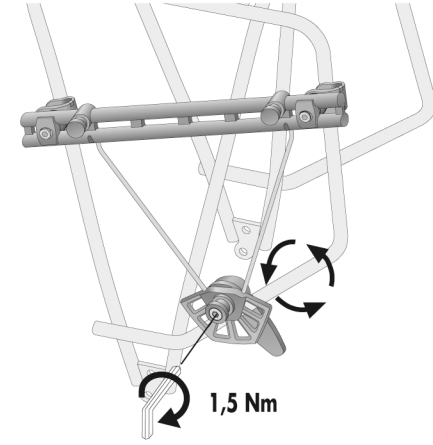
RACK 1 QL3.1 INTEGRATED



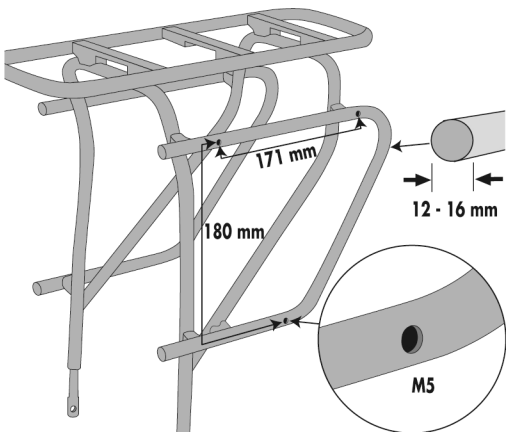
RACK 2 QL3.1 COMPATIBLE



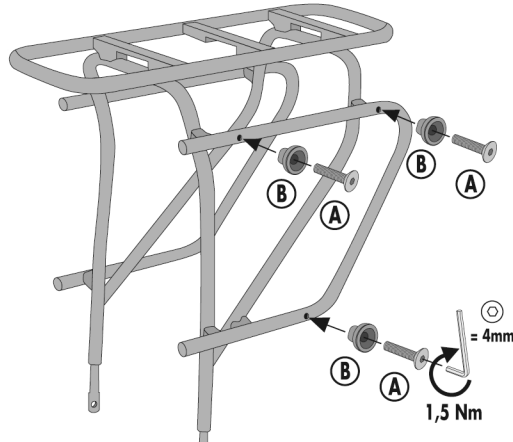
RACK 4.2 MOUNTED ACCESSORIES



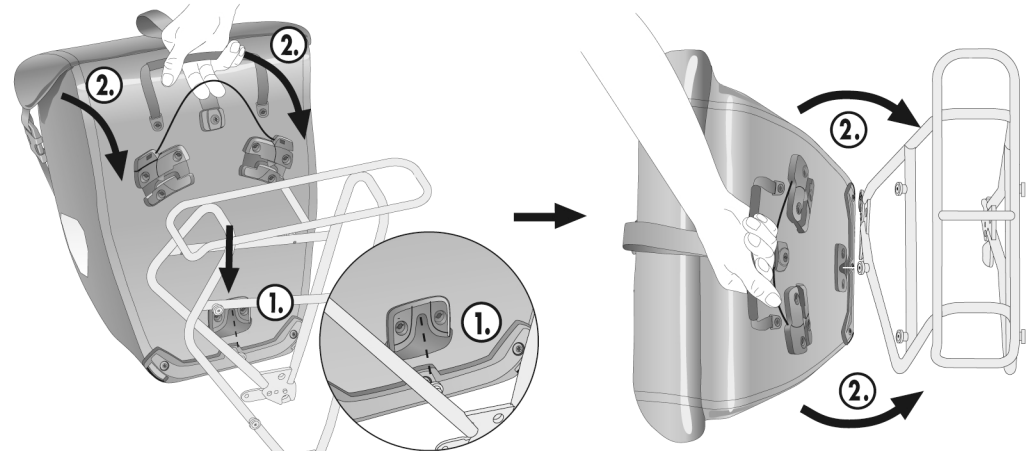
RACK 3 COMPATIBLE MOUNTING POSITION



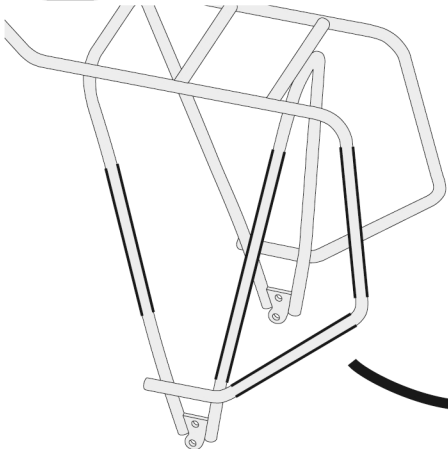
RACK 3.1 MOUNT QL3.1 STUDS



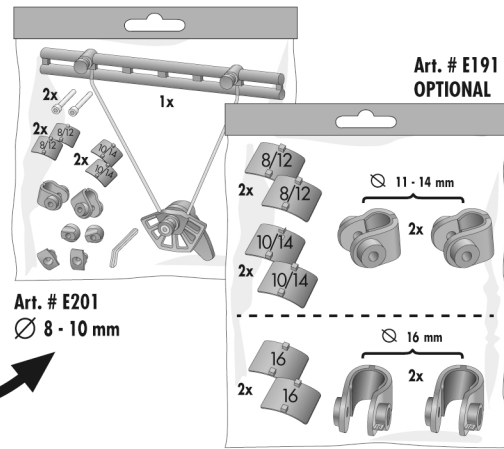
1.1 MOUNT BAG



RACK 4 WITHOUT DIRECT COMPATIBILITY



RACK 4.1 REQUIRED ACCESSORIES



1.2 MOUNT BAG

