

### ACCESSORIES

= + Art. #E193

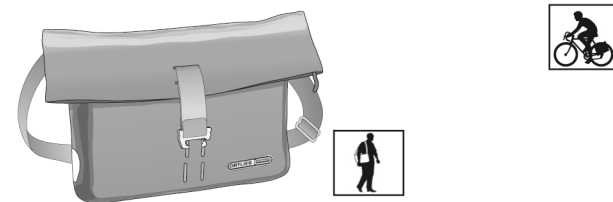
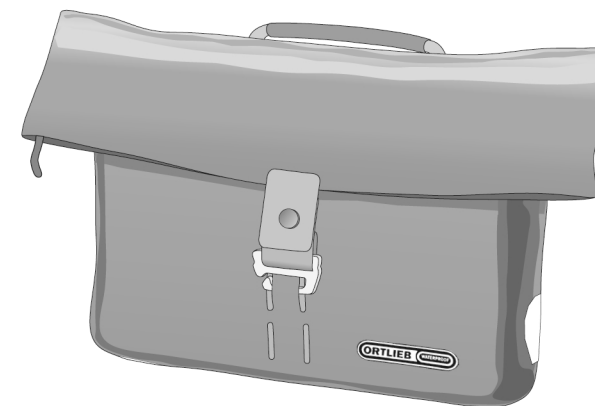
= + Art. #E125 (l)

= + Art. #E124 (s)

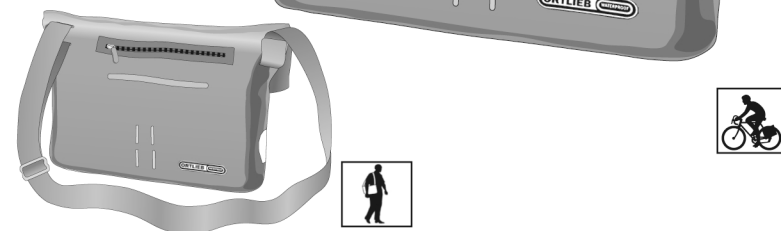
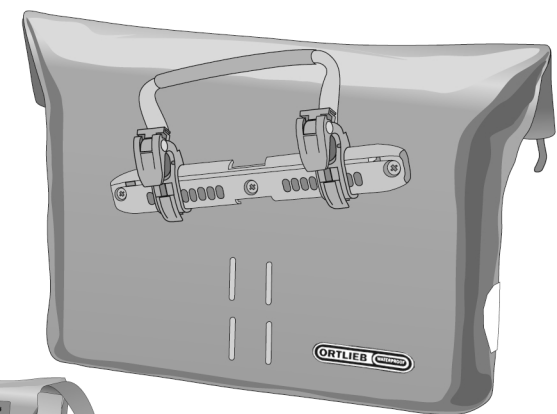
**ORTLIEB** WATERPROOF

## TWIN-CITY QL2.1

- DE MONTAGEANLEITUNG
- GB ASSEMBLY INSTRUCTIONS
- FR INSTRUCTIONS DE MONTAGE
- IT ISTRUZIONI DI MONTAGGIO
- NL MONTAGE HANDLEIDING
- DK MONTERINGSVEJLEDNING
- ES INSTRUCCIONES DE MONTAJE
- SE MONTERINGSANVISNING
- NO MONTERINGSANVISNING
- FI ASENNUSOHJEET
- PL INSTRUKCJA MONTAZU
- JP 装着方法



INHALT:  
CONTENTS:  
CONTENU:  
CONTENUTO:  
INHOU:  
INDHOLD:  
CONTENTO:  
INNEHÅLL:  
INNHOLD:  
SISÄLLYS:  
ZAWARTOSC:  
内容物



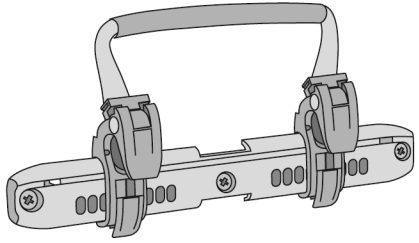
= **A** 8 mm

= **B** 10 mm

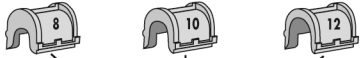
= **C** 12 mm



QL2.1

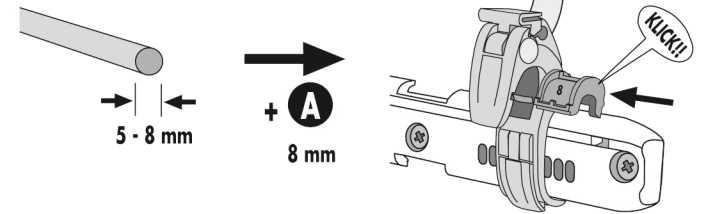
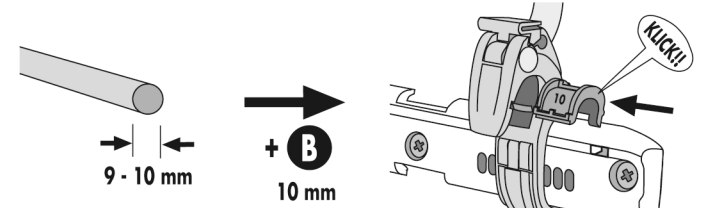
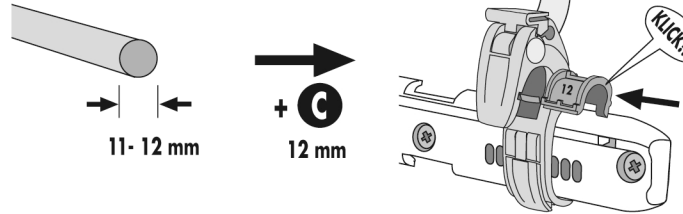
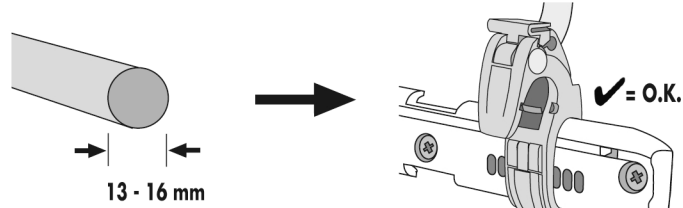


= **A** 8 mm = **B** 10 mm = **C** 12 mm

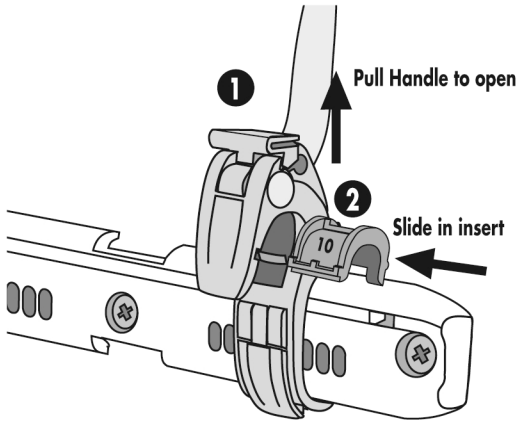


**Anti-Scratch  
function**

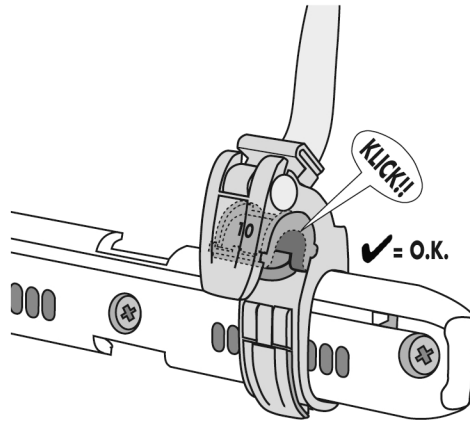
**A**



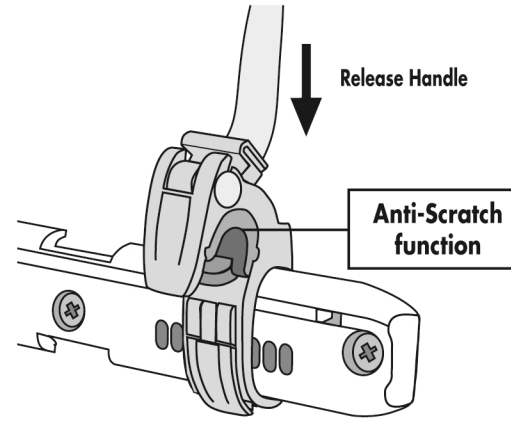
**B**



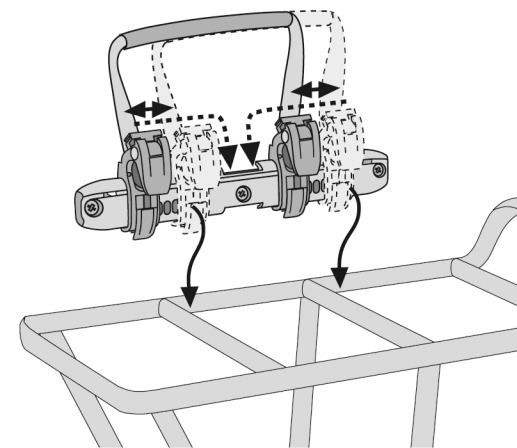
**C**



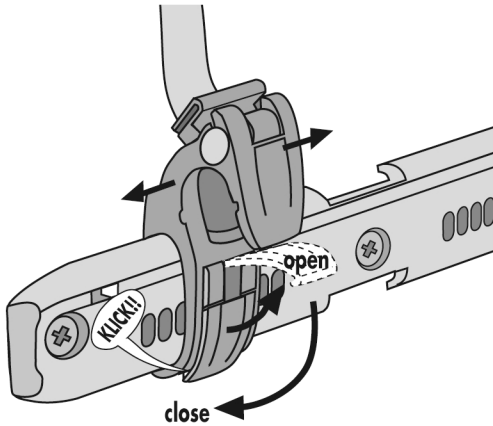
**D**



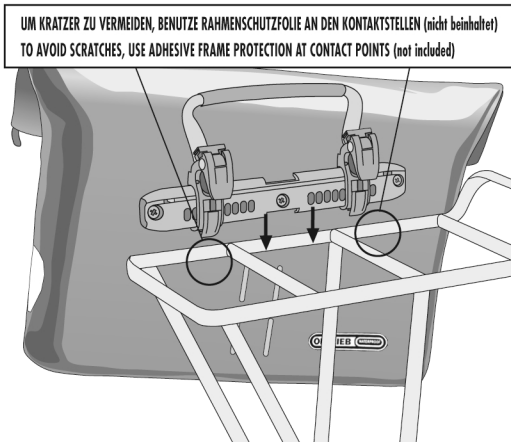
**E**



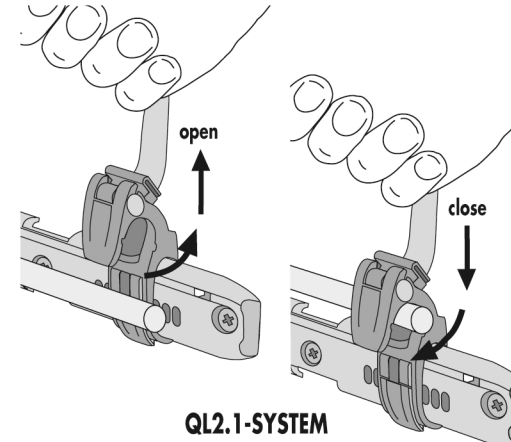
**F**



**G**



**H**



**I**

